



DINSEN IMPEX CORP

TEL:0086-310-8906676

FAX:0086-310-3252086

ADD: NO.70 Renmin road,Handan,Hebei,China

EMAIL: info@dinsenmetal.com dinsenmetal@163.com

WEBSITE: <http://www.dinsenmetal.com>



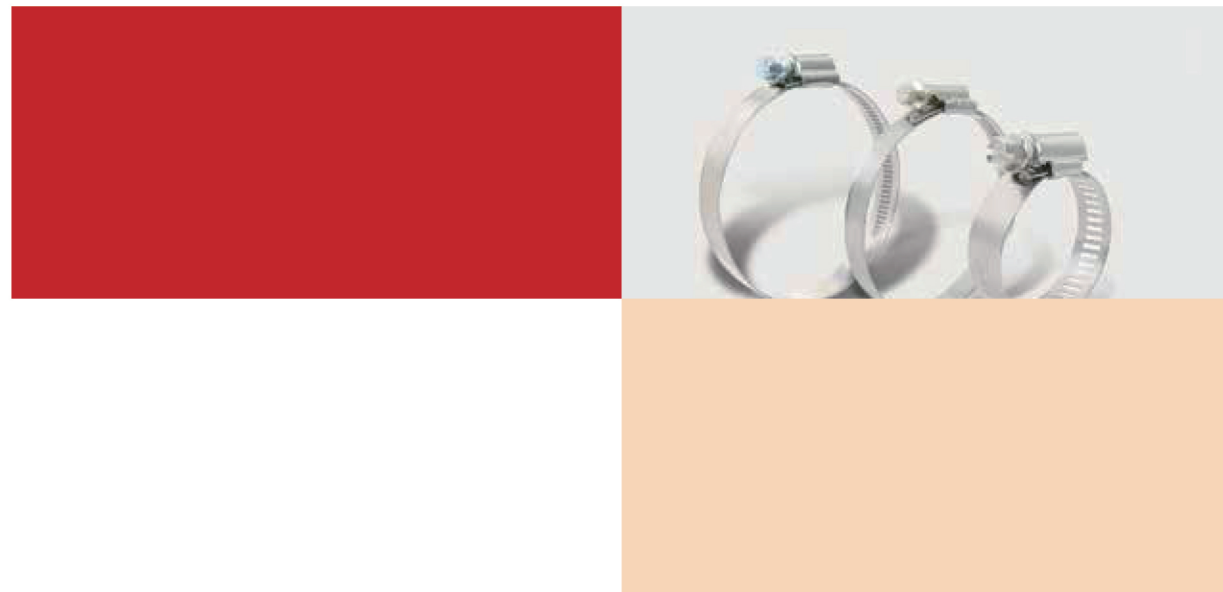


# CONTENTS 目录

## 01

### 公司基本情况 Company Basic Information

- 公司介绍  
Company Introduction
- 资质荣誉  
Qualification Honor
- 生产车间  
Production Workshop



## 03

### 产品目录 Products Introduction

- 3 德式中间喉箍  
Gm(German Middle) Type Hose Clamp
- 5 偏头式喉箍  
Torro Hose Clamp
- 7 美式喉箍  
A(American) Type Hose Clamp
- 9 美式扣盖喉箍  
A(American) Type Hose Clamp
- 11 美式重型卡箍  
American Type Heavy Duty Clamps
- 13 美式力矩补偿卡箍  
Clamp With Spring System-8mm Head Of Screw
- 17 波纹管专用卡箍  
Hose Clamp For Corrugated Pipe
- 18 T型强力卡箍  
T-bolt Hose Clamps
- 19 单头实心强力卡箍  
Robust Clamp With Solid Nut
- 21 双头强力实心卡箍  
Unitary Clamp With Double Bands
- 22 V型沟槽卡箍  
V-band Super Clamp
- 23 连胶条卡箍  
Rubber Link Clips
- 23 吊管卡箍  
Heavy Duty Pipe Clamp With Rubber
- 24 英式喉箍 焊头、挂头、铆头  
B(British)type Hose Clamp-welding Housing,green&blue Housing,riveting Housing
- 24 迷你喉箍  
Mini Hose
- 25 双耳卡箍  
Double Ear Clamp
- 25 双钢丝喉箍  
Double Wire Hose Clamp
- 26 弹簧卡箍  
Hose Clamp
- 26 棘爪卡箍  
Ratchet hosp clamp
- 27 不锈钢管束总成-建筑排水柔性接口专用卡箍  
Coupling Joining Hubless Cast Iron Soil Pipe Stainless Steel Sewage & Hose Clamps-shielded



## 公司基本情况

### General Information of Company

Dinsen Impex Corporation is founded in 2007, a professional enterprise in the field of cast iron pipes, fittings, stainless steel couplings, which are used for drainage system of buildings. We own a pipe factory, two fitting factories and a coupling factory with most advanced and modern equipment. The capacity is 1000MT cast iron drainage pipes, 100MT pipe fittings and 7.5 million pcs couplings per month. Our production process is executed strictly by the ISO 9001:2008 standard and all products are fully meet

DIN EN877, BSEN877, DIN19522, BS416, BS437, GB/T12772 IATF16949 ect. Through this years, we offer reliable and quick service to response to the changing market and develop our own brand DS cast iron drainage pipes, fittings and couplings. Now our agents are widely in many countries like Germany, United Kingdom, Norway, Russia, Ukraine, Hongkong, UAE, Middle East and Southeast Asia etc.

鼎森公司成立于2007年，是一家专业从事于排水管，管件、不锈钢卡箍的企业，我们有一家管道厂，两家管件厂和一家卡箍厂工厂。工厂拥有最先进、最现代化的生产和检测设备。

月产量1000吨管、100吨管件和750万只卡箍。生产过程严格按照ISO 9001:2008标准执行，所有产品完全符合DIN EN877, BSEN877, DIN19522, BS416, BS437, GB/T12772 IATF16949等。

这些年我们提供可靠和快捷的服务以回应不断变化的市场，发展我们自己的DS品牌，代理商广泛分布在许多国家，如德国、英国、挪威、俄罗斯、乌克兰、香港、阿联酋、中东和东南亚等地。



## 德式中间喉箍

### GM(German Middle) Type Hose Clamp

- 可根据客户需求定制其他规格的产品  
Other specifications can be customized according to requirements

#### 材质 Material

W1-钢带、箍头、螺丝全部为铁镀锌。(螺丝为十字)

W1-Band, housing&screw, all zinc-plated(head crossed)

W2-钢带、箍头为300不锈钢或430不锈钢、螺丝全部为铁镀锌。(螺丝为十字)

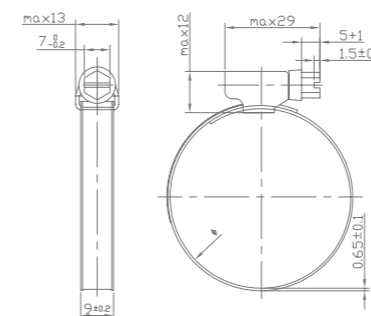
W2-Band, housing with all stainless steel 300 or 430, zinc-plated screw(head crossed)

W4-钢带、箍头全部为300不锈钢。(螺丝为一字)

W4-Band, housing & screw with all stainless steel 300(head slotted)

W5-钢带、箍头、螺丝全部为316不锈钢。(螺丝为一字)

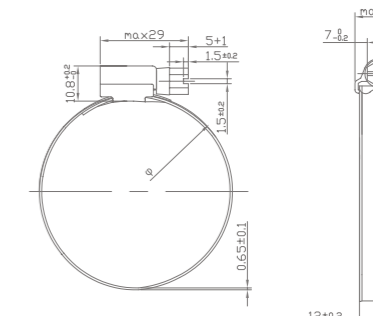
W5-Band, housing & screw with all stainless steel 316(head slotted)



■ 德式中间式喉箍 (DIN) 适用Q675标准-9mm  
GM(German Middle) Hose Clamp-9mm

规格 size	只/袋 pcs/bag	只/箱 pcs/carton	包装尺寸 carton size
8-12	100	1000	32*27*14
10-16	100	1000	32*27*14
12-20	100	1000	32*27*14
16-27	100	1000	32*27*17
20-32	100	1000	32*27*21
25-40	100	1000	32*27*29
32-50	50	500	32*27*21
40-60	50	500	32*27*29
50-70	50	500	32*27*34
60-80	50	500	40*32*32
70-90	50	500	40*37*30
80-100	10	250	32*27*24
90-110	10	250	32*27*29
100-120	10	250	32*27*29
110-130	10	250	32*27*34
120-140	10	250	40*32*32
130-150	10	250	40*37*30
140-160	10	250	40*37*30

	自由扭矩 Nm Free Torque	负载扭矩 Nm Breaking Torque
9mm/W1	≤0.6Nm	≥4.5Nm
9mm/W2	≤0.6Nm	≥6Nm
9mm/W4	≤0.6Nm	≤6Nm
9mm/W5	≤0.6Nm	≤6Nm



■ 德式中间式喉箍 (DIN) 适用Q675标准-12mm  
GM(German Middle) Hose Clamp-12mm

规格 size	只/袋 pcs/bag	只/箱 pcs/carton	包装尺寸 carton size
12-20	100	1000	32*27*19
16-27	100	1000	32*27*19
20-32	50	500	32*27*17
25-40	50	500	32*27*21
32-50	50	500	32*27*29
40-60	50	500	41*32*32
50-70	10	500	41*32*32
60-80	10	250	32*27*24
70-90	10	250	32*27*29
80-100	10	250	32*27*34
90-110	10	250	41*32*32
100-120	10	250	41*32*32
110-130	10	250	41*32*30
120-140	10	200	40*32*32
130-150	10	200	41*37*35
140-160	10	200	41*37*35

	自由扭矩 Nm Free Torque	负载扭矩 Nm Breaking Torque
12mm/W1	≤0.6Nm	≥5Nm
12mm/W2	≤0.6Nm	≥6.5Nm
12mm/W4	≤0.6Nm	≤6.5Nm
12mm/W5	≤0.6Nm	≤6.5Nm

# 偏头式喉箍

## TORRO HOSE CLAMP DIN-9mm / DIN-12mm

■ 规格可参考德式中间式产品，可根据客户需求定制其他规格产品。

Sizes can refer to GM(German Middle) Hose Clamp products.

Other specifications can be customized according to requirements.



### 材质 Material

W1-钢带、箍头、螺丝全部为铁镀锌。(螺丝为十字)

W1-Band, housing&screw, all zinc-plated(head crossed)

W2-钢带、箍头为300不锈钢或430不锈钢、螺丝全部为铁镀锌。(螺丝为十字)

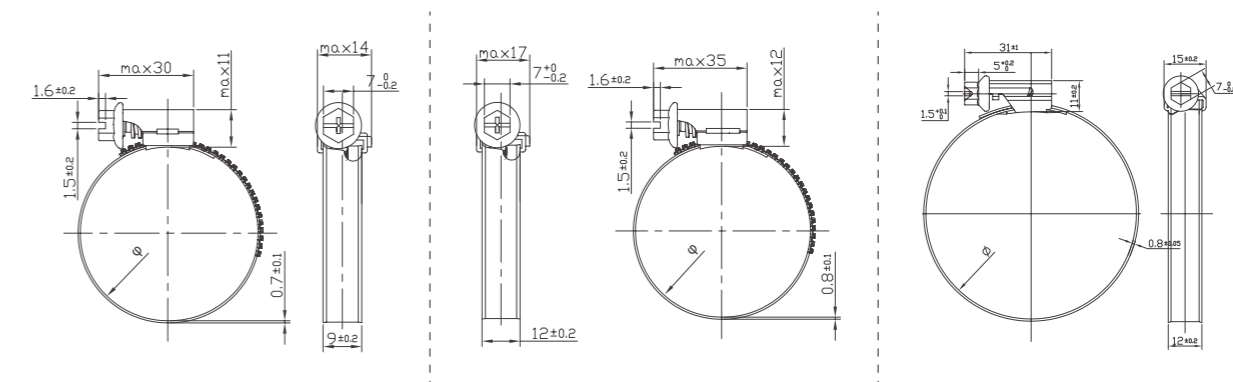
W2-Band, housing with all stainless steel 300 or 430, zinc-plated screw(head crossed)

W4-钢带、箍头全部为300不锈钢。(螺丝为一字)

W4-Band, housing & screw with all stainless steel 300(head slotted)

W5-钢带、箍头、螺丝全部为316不锈钢。(螺丝为一字)

W5-Band, housing & screw with all stainless steel 316(head slotted)



### ■ 偏头式喉箍 (DIN) 适用Q675标准-9mm Torro Hose Clamp-9mm

规格 size	只/袋 pcs/bag	只/箱 pcs/carton	包装尺寸 carton size
8-12	100	1000	32*27*14
10-16	100	1000	32*27*14
12-20	100	1000	32*27*14
16-27	100	1000	32*27*17
20-32	100	1000	32*27*21
25-40	100	1000	32*27*29
32-50	50	500	32*27*21
40-60	50	500	32*27*29
50-70	50	500	32*27*34
60-80	50	500	40*32*32
70-90	50	500	40*37*30

### ■ 偏头式喉箍 (DIN) 适用Q675标准-12mm Torro Hose Clamp-12mm

规格 size	只/袋 pcs/bag	只/箱 pcs/carton	包装尺寸 carton size
12-20	100	1000	32*27*19
16-27	100	1000	32*27*19
20-32	50	500	32*27*17
25-40	50	500	32*27*21
32-50	50	500	32*27*29
40-60	50	500	41*32*32
50-70	10	500	41*32*32
60-80	10	250	32*27*24
70-90	10	250	32*27*29

	自由扭矩 Nm Free Torque	负载扭矩 Nm Breaking Torque
9mm/W1	≤0.6Nm	≥4.5Nm
9mm/W2	≤0.6Nm	≥6Nm
9mm/W4	≤0.6Nm	≤6Nm
9mm/W5	≤0.6Nm	≤6Nm

	自由扭矩 Nm Free Torque	负载扭矩 Nm Breaking Torque
12mm/W1	≤0.6Nm	≥5Nm
12mm/W2	≤0.6Nm	≥6.5Nm
12mm/W4	≤0.6Nm	≤6.5Nm
12mm/W5	≤0.6Nm	≤6.5Nm



■ 小美式喉箍 适用Q676B标准-8mm，螺丝对边6mm或6.3mm  
A(American) Type Hose Clamp-8mm  
Wrench 6mm or 6.3mm

规格 size	只/袋 pcs/bag	只/箱 pcs/carton	包装尺寸 carton size
8-12	100	2000	32*27*13
10-16	100	2000	38*27*15
14-24	100	2000	32*27*20
18-28	100	2000	32*27*24
24-36	50	1000	32*27*19
25-45	50	1000	32*27*24
32-52	50	1000	32*27*29
40-60	20	500	32*27*20
47-67	20	500	32*27*25
62-82	20	500	40*32*29

	自由扭矩 Nm Free Torque	负载扭矩 Nm Breaking Torque
W1	≤0.8Nm	≥2.2Nm
W2	≤0.6Nm	≥3.0Nm
W4	≤0.6Nm	≤3.0Nm

## 美式喉箍

### A(AMERICAN) TYPE HOSE CIAMP

■ 可根据客户需求定制其他规格的产品

Other specifications can be customized according to requirements

#### 材质 Material

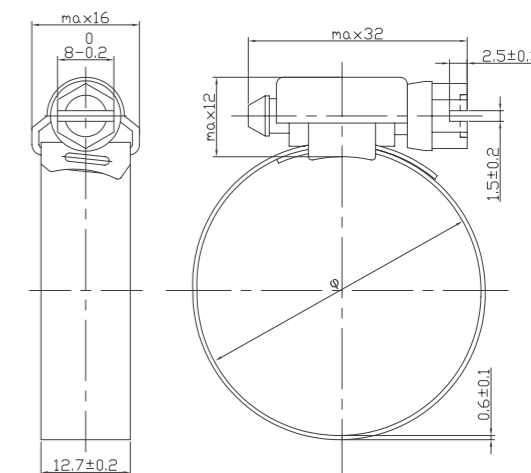
W1-钢带、箍头、螺钉全部为铁镀锌  
W1-Band,housing&screw With All Zinc-plated.

W2-钢带、箍头为300不锈钢，螺丝为铁镀锌  
W2-Band,housing With All Stainless Steel 300 Zinc-plated Screw.

W4-钢带、箍头、螺钉全部为300不锈钢  
W4-Band,housing&screw With All Tainless Steel 300.

■ 大美式喉箍 适用Q676标准-12.7mm，螺丝对边8mm  
A(American) Type Hose Clamp-12.7mm  
Wrench 8mm

规格 size	只/袋 pcs/bag	只/箱 pcs/carton	包装尺寸 carton size
10-22	100	1000	32*27*20
11-25	100	1000	32*27*24
14-27	100	1000	32*27*24
17-32	100	1000	32*27*29
21-38	50	500	39*31*31
21-44	50	500	38*27*24
27-51	50	500	38*27*29
33-57	50	500	32*27*34
44-64	20	500	39*31*31
46-70	20	500	40*37*30
52-76	20	500	40*37*30
59-82	20	500	40*37*30
65-89	20	500	38*27*34
72-95	20	500	39*31*31
78-101	20	250	38*27*34
84-108	20	250	38*27*34
91-114	25	250	39*31*31
105-127	25	250	39*31*31
118-140	25	250	40*37*27
130-152	25	250	40*37*30
143-165	25	250	40*37*35
155-178	25	250	49*40*31



	自由扭矩 Nm Free Torque	负载扭矩 Nm Breaking Torque
W1	≤0.8Nm	≥5Nm
W2	≤0.6Nm	≥8Nm
W4	≤0.6Nm	≤8Nm

# 美式扣盖喉箍

## A(AMERICAN) TYPE HOSE CIAMP

■ 可根据客户需求定制其他规格的产品

Other specifications can be customized according to requirements

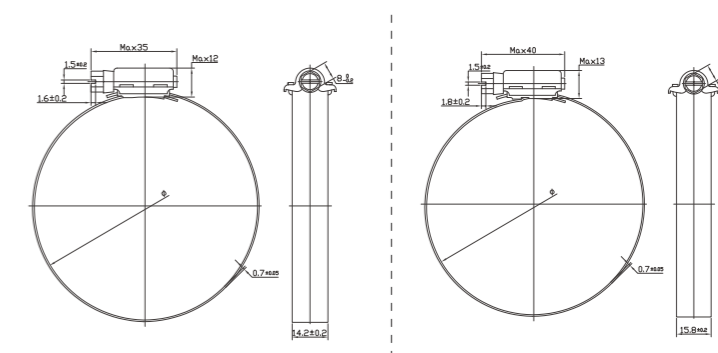
### 材质 Material

W2-钢带、箍头为300不锈钢，螺丝为铁镀锌  
W2-Band,housing With All Stainless Steel 300 Zinc-plated Screw.

W4-钢带、箍头、螺钉全部为300不锈钢  
W4-Band,housing&screw With All Tainless Steel 300.



美式扣盖直条



■ 美式扣盖喉箍 带宽14.2mm/15.8mm  
A(American) Type Hose Clamp-14.2mm/15.8mm

规格 size	14.2mm			15.8mm		
	只/袋 pcs/bag	只/箱 pcs/carton	负载扭矩Nm breakingtorque	只/袋 pcs/bag	只/箱 pcs/carton	负载扭矩Nm breakingtorque
14-27	/	/	≥10Nm	/	/	/
17-32	/	/	≥10Nm	/	/	/
21-38	20	500	≥10Nm	/	/	/
21-44	20	500	≥10Nm	20	500	≥18Nm
27-51	20	500	≥10Nm	20	500	≥18Nm
33-57	20	500	≥10Nm	20	500	≥18Nm
40-64	10	250	≥10Nm	10	250	≥18Nm
52-76	10	250	≥10Nm	10	250	≥18Nm
65-89	10	250	≥10Nm	10	250	≥18Nm
71-95	10	250	≥10Nm	10	250	≥18Nm
78-102	10	250	≥10Nm	10	250	≥18Nm
90-114	10	250	≥10Nm	10	250	≥18Nm
103-127	10	250	≥10Nm	10	250	≥18Nm
118-140	10	100	≥10Nm	10	100	≥18Nm
130-152	10	100	≥10Nm	10	100	≥18Nm
143-165	10	100	≥10Nm	10	100	≥18Nm
154-178	10	100	≥10Nm	10	100	≥18Nm

## 美式重型卡箍

AMERICAN TYPE HEAVY DUTY CIANMPS-14.2mm/15.8mm

规格可参考美式扣盖产品，可根据客户需求定制其他规格产品。

Sizes can refer to A type Hose Clamp products.

Other specifications can be customized according to requirements.

### 材质 Material

W2-钢带、箍头、弹片为不锈钢300材质，铁镀锌螺丝

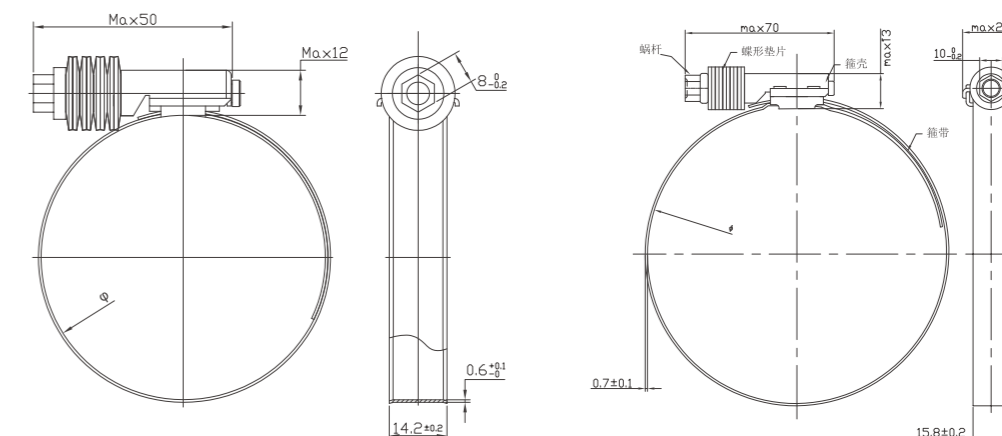
W2-Band, Housing and Spring Disc are Stainless Steel 300,Zinc Plated Screw

W3-钢带、箍头、弹片为不锈钢300材质，SS410螺丝

W3-Band, Housing and Spring Disc are Stainless Steel 300, SS410 Screw

W4-全部为304不锈钢。

W4-All Stainless Steel 304



美式重型卡箍 带宽14.2mm/15.8mm

American Type Heavy Duty Clamps-14.2mm/15.8mm

规格 size	14.2mm			15.8mm		
	只/袋 pcs/bag	只/箱 pcs/carton	负载扭矩Nm breakingtorque	只/袋 pcs/bag	只/箱 pcs/carton	负载扭矩Nm breakingtorque
14-27	/	/	≥ 10Nm	/	/	/
17-32	/	/	≥ 10Nm	/	/	/
21-38	20	500	≥ 10Nm	/	/	/
21-44	20	500	≥ 10Nm	20	500	≥ 18Nm
27-51	20	500	≥ 10Nm	20	500	≥ 18Nm
33-57	20	500	≥ 10Nm	20	500	≥ 18Nm
40-64	10	250	≥ 10Nm	10	250	≥ 18Nm
52-76	10	250	≥ 10Nm	10	250	≥ 18Nm
65-89	10	250	≥ 10Nm	10	250	≥ 18Nm
71-95	10	250	≥ 10Nm	10	250	≥ 18Nm
78-102	10	250	≥ 10Nm	10	250	≥ 18Nm
90-114	10	250	≥ 10Nm	10	250	≥ 18Nm
103-127	10	250	≥ 10Nm	10	250	≥ 18Nm
118-140	10	100	≥ 10Nm	10	100	≥ 18Nm
130-152	10	100	≥ 10Nm	10	100	≥ 18Nm
143-165	10	100	≥ 10Nm	10	100	≥ 18Nm
154-178	10	100	≥ 10Nm	10	100	≥ 18Nm



## 美式力矩补偿卡箍

CLAMP WITH SPING SYSTEM-8MM HEAD OF SCREW-12.7mm/14.2mm

■ 规格可参考美式扣盖产品，可根据客户需求定制其他规格产品。

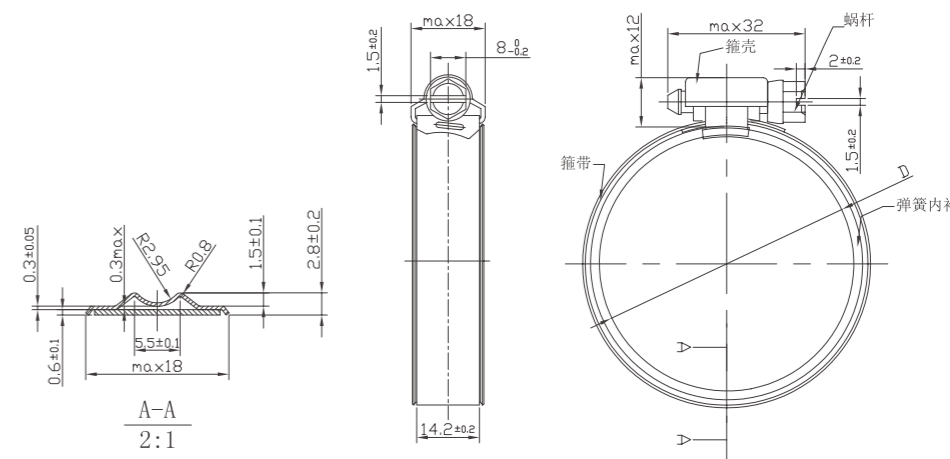
Sizes can refer to A type Hose Clamp products.

Other specifications can be customized according to requirements.

### 材质 Material

W4-钢带、箍头、螺钉全部为300不锈钢

W4-Band, housing & screw With All Tainless Steel 300.



## 波纹管专用卡箍

### Hose Clamp For Corrugated Pipe

- 可根据客户需求定制其他规格的产品  
Other specifications can be customized according to requirements



- 此波纹管主要用于灰尘, 粉末, 碎屑, 颗粒输送和排放, 也可作为冷热空气引导管, 如鼓风机, 压缩机。

This type of corrugated pipe is applied to exhausting and carrying some kinds of dust and powder. It can be also applied to pipes which transmit cold and hot air, for example air blower and compressor.

- 配用的桥式卡箍韧性强, 密封好, 安装便捷, 可在不同环境下选用不同材质: W2,W4,W5

Be served with this corrugad pipe, bridge style hose clamp has its advantages: good ductility, high sealing quality and easy fixed. Customers can choose different material from w2, w4, and w5



- 波纹管专用卡箍规格  
Specification for Hose Clamp For Corrugated Pipe

软管内径 suitable for hose mm	卡箍范围 clamping range mm	带宽 band width mm
30-35	27-47	9
38-45	35-55	9
50-55	45-65	9
60-65	55-75	9
70-75	65-85	9
80	75-95	9
90	85-105	9
100-102	95-115	9
110-115	105-125	9
120-127	115-135	9
130	125-145	9
140	135-155	9
150-152	145-165	9
160	155-175	9
170-175	165-185	9
180	175-195	9
190	185-205	9
200	195-215	9
215	205-225	12
225	215-235	12
250	245-265	12
275	265-285	12
280	275-295	12
300	295-315	12
315-325	315-355	12
350	345-385	12
400	395-435	12
450	445-485	12
500	495-535	12

## T型强力卡箍

T-BOLT HOSE CIAMPS-W2 ORW4

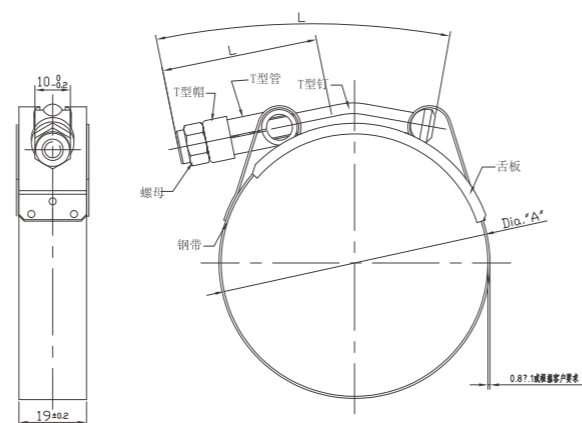
■ 可根据客户需求定制其他规格的产品

Other specifications can be customized according to requirements

### 材质 Material

W2- 螺钉、螺母为铁镀锌，其余为不锈钢300材质  
W2- bolt And Nut With Zinc Plated Steel, the Rest With Stainless Steel 300

W4- 全部为300不锈钢  
W4- All Stainless Steel 300.



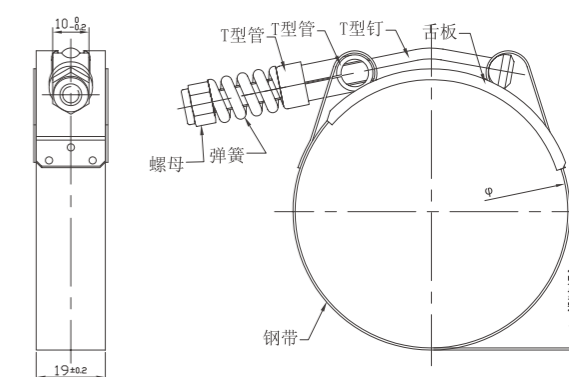
## T型弹簧 W2

HEAVY DUTY CLAMP WITH SMALL SPRING

### 材质 Material

W2- 螺钉、螺母为铁镀锌，其余为不锈钢300材质  
W2- Bolt And Nut With Zinc Plated Steel, the Rest With Stainless Steel 300

规格 size	带宽 band width	带厚 band thickness
45-50	19	0.6、0.8、1.0
53-59	19	0.6、0.8、1.0
56-64	19	0.6、0.8、1.0
60-68	19	0.6、0.8、1.0
70-80	19	0.6、0.8、1.0
76-84	19	0.6、0.8、1.0
83-90	19	0.6、0.8、1.0
86-94	19	0.6、0.8、1.0
95-105	19	0.6、0.8、1.0
102-110	19	0.6、0.8、1.0
108-118	19	0.6、0.8、1.0
118-128	19	0.6、0.8、1.0
127-135	19	0.6、0.8、1.0
138-148	19	0.6、0.8、1.0
145-155	19	0.6、0.8、1.0
152-160	19	0.6、0.8、1.0
159-167	19	0.6、0.8、1.0
172-179	19	0.6、0.8、1.0
184-194	19	0.6、0.8、1.0
203-211	19	0.6、0.8、1.0
219-229	19	0.6、0.8、1.0



## 单头实心强力卡箍喉箍

### ROBUST CLAMP WITH SOLID NUT

■ 可根据客户需求定制其他规格的产品

Other specifications can be customized according to requirements

#### 材质 Material

W1-全铁镀锌

W1-All Zinc-Plated

W2-螺丝、轴和套管为铁镀锌，其余为300不锈钢

W2-Bolt, Axis and Coupling with Zinc-plated, others with Stainless Steel 300

W4-全部为301或304不锈钢

W4-All Stainless Steel 301 or 304



## 双头实心强力卡箍

### UNITARY CLAMP WITH DOUBLE BANDS

■ 可根据客户需求定制其他规格的产品

Other specifications can be customized according to requirements



规格 size	钢带尺寸 Band Size		螺钉尺寸 screw size	只/箱 pcs/carton
	W1	W2 W4		
17-19	0.6 × 18	0.5 × 18	M5 × 40	200
19-21				200
20-22				200
21-23				200
23-25				200
26-28				200
29-31	0.8 × 20	0.6 × 20	M6 × 50	200
30-33				200
32-35				200
34-37				200
36-39				200
38-41				200
40-43	1.2 × 22	0.8 × 22	M6 × 55	100
43-46				100
44-47				100
48-51				100
52-55				100
56-59				100
60-63	1.5 × 24	0.8 × 24	M8 × 60	100
64-67				100
68-73				100
74-79				50
76-80				50
80-85				50
86-91	1.7 × 26	1.0 × 26	M8 × 70	50
92-97				50
98-103				50
104-112				50
110-118				50
113-121				50
122-130	M10 × 85	M10 × 85	50	
131-139			50	
140-148			50	
149-161			50	
162-174			25	
175-187			25	
188-200	M10 × 105	M10 × 105	25	
195-210			25	
201-213			25	
214-226			25	
227-239			25	
240-252			25	



## V型沟槽卡箍

### V-BAND SUPER CLAMP

- 由于该产品尺寸要求严格，如果询价，请提供详细尺寸或者样品；  
Because of the special applicative field, if you ask the prices, please provide the detailed drawings or samples.

#### 材质 Material

W2- 螺钉、螺母为铁镀锌，其余为不锈钢300材质  
W2- Bolt And Nut With Zinc Plated Steel, the Rest With Stainless Steel 300

W4- 全部为300不锈钢  
W4- All Stainless Steel 300.

## 迷你小强力

### MINI CLAMP WITH SINGLE BOLT

- 可根据客户需求定制其他规格的产品  
Other specifications can be customized according to requirements

#### 材质 Material

W1-全铁镀锌  
W1-All Zinc-Plated

W2-螺丝、轴和套管为铁镀锌，其余为300不锈钢  
W2-Bolt, Axis and Coupling with Zinc-plated, others with Stainless Steel 300

W4-全部为301或304不锈钢  
W4-All Stainless Steel 301 or 304





## 连胶条卡箍

### RUBBER LINK CLIPS

- 可根据客户需求定制其他规格的产品  
Other specifications can be customized according to requirements

#### 材质 Material

W1-全铁镀锌  
W1-All Zinc-Plated

W4-全部为301或304不锈钢  
W4-All Stainless Steel 301 or 304

标准: 带宽12mm, 孔直径5.3mm  
Standard: Band Width 12mm, Hole 5.3mm

带宽15mm, 孔直径6.4mm  
Band Width 15mm, Hole 6.4mm

带宽20mm, 孔直径8.4mm  
Band Width 20mm, Hole 8.4mm

特殊要求: 带宽9mm或者25mm  
Available on Request: Band width 9mm or 25mm



## 吊管卡箍

### HEAVY DUTY PIPE CLAMP WITH RUBBER

- 可根据客户需求定制其他规格的产品  
Other specifications can be customized according to requirements

#### 材质 Material

W1-全铁镀锌  
W1-All Zinc-Plated

W4-全部为301或304不锈钢  
W4-All Stainless Steel 301 or 304



## 英式喉箍 焊头、挂头、铆头W1

B(BRITISH)TYPE HOSE CLAMP-WELDING HOUSING,  
GREEN&BLUE HOUSING,RIVETING HOUSING



## 迷你喉箍

### MINI HOSE CLAMP W1/W4

- 可根据客户需求定制其他规格的产品  
Other specifications can be customized according to requirements

#### 材质 Material

W1-钢带、螺丝、方母全部为铁镀锌。  
W1-Band, Screw & Nut with all Zinc-Plated

W4-钢带、螺丝、方母全部为300不锈钢。  
W4-Band, Screw & Nut with all Stainless Steel 300



## 双耳卡箍 W1、W4

### DOUBLE EA CLAMP W1/W4

- 可根据客户需求定制其他规格的产品  
Other specifications can be customized according to requirements

#### 材质 Material

W1-全部为铁镀锌。  
W1-All zinc-plated



## 双钢丝喉箍

### DOUBLE WIRE HOSE CLAMP

- 可根据客户需求定制其他规格的产品  
Other specifications can be customized according to requirements

#### 材质 Material

W1-全部为铁镀锌。  
W1-All zinc-plated

W4-全部为不锈钢304材质  
W4-All stainless steel 304



## 弹簧卡箍

### DOUBLE WIRE HOSE CLAMP

- 根据客人要求，其他规格和材质也能够提供。  
According to the requirement of customers, other sizes and material are also available



## 棘爪卡箍

### RATCHET HOSE CLAMP

- 可根据客户需求定制产品规格。  
Other specifications can be customized according to requirements



## 不锈钢管束总成

### 建筑排水柔性接口专用卡箍

STAINLESS STEEL SEWAGE CLAMP  
JOINING HUBLESS CAST SOIL PIPE

尺寸 Size	每箱装量 Pcs/carton	外箱尺寸cm carton size
DN40	100	36x27x32
DN50	100	41x32x31
DN75	100	50x41x32
DN100	100	63x51x33
DN125	50	61x42x43
DN150	50	73x53x44
DN200	30	68x47x56
DN250	25	60x60x53
DN300	16	66x66x45

尺寸 Size	每箱装量 Pcs/carton	外箱尺寸cm carton size
DN40	250	57x42x26
DN50	100	42x32x24
DN75	100	57x42x26
DN100	100	70x52x27
DN125	50	54x38x62
DN150	50	54x38x62
DN200	20	63x51x33

### A型管束

A TYPE SEWAGE CLAMP



### B型管束

B TYPE SEWAGE CLAMP



### CHA型管束

CHA TYPE HEAVY DUTY CLAMP



### 重型爪箍

KOMBI-KRALLE



尺寸 Size	每箱装量 Pcs/carton	外箱尺寸cm carton size
DN50	100	58x43x33
DN75	100	59x43x43
DN100	50	54x39x33
DN125	50	67x44x39
DN150	50	73x53x39
DN200	12	72x39x32
DN250	4	72x39x32
DN300	4	72x39x32

尺寸 Size	每箱装量 Pcs/carton
DN40	20
DN50	20
DN75	20
DN100	10
DN125	10